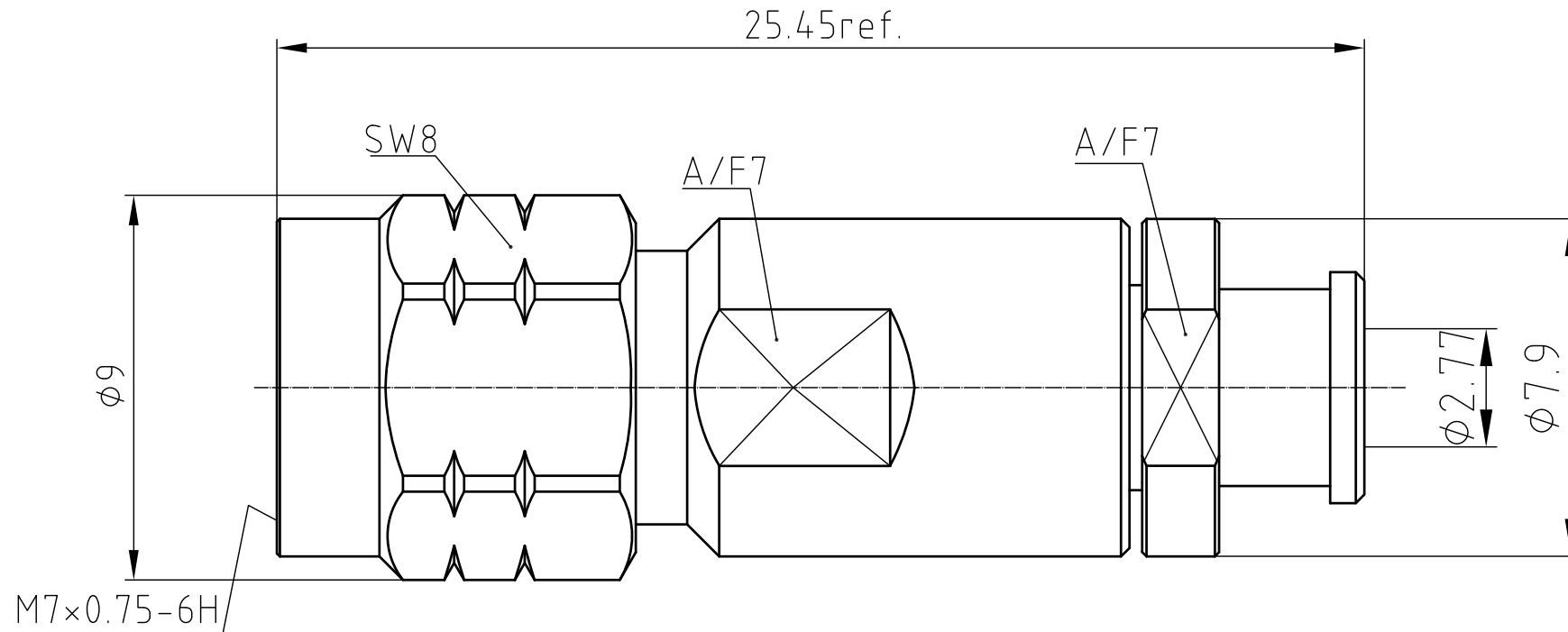


M



All materials and processes. Must comply with ROHS requirements

REV.	CHANGE ORDER	DATE	APP
A0	First edition release		



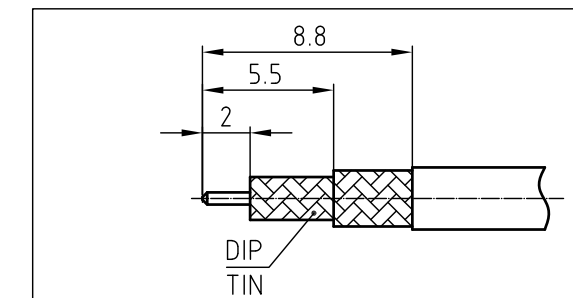
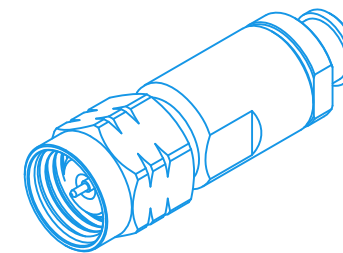
1.85 MALE

ELECTRICAL PERFORMANCE

1. Impedance : 50 Ω
2. Frequency Range : 0-67 GHz
3. Vswr: ≤ 1.35 (@67GHz)
4. Dielectric Withstanding Voltage : 500V rms, 50Hz
5. Operating Temperature: -40~+125°C
6. Salt fog: Neutral salt spray meets 48H
7. Center contact retention force: 6lbs min
8. Coupling proof torque: 15 in-lbs min
9. Coupling nut retention force: 60lbs min
10. Durability: 500cycles min
11. The Interface Conforms to 1.85 Type

NOTES:

Materials of construction:  
 Body/Nut : Stainless steel, Passivation.  
 Ferrule: Brass, Gold plated.  
 Inner contact: BeCu, 10u" Gold plated.  
 Insulator: PEEK/PEI



SCALE: 4:1	WEIGHT: 6.7g	AREA: --
MATERIAL:		
TOLERANCES: Unless specified otherwise: 0±0.5; 0.0±0.1; 0.00±0.05; Angles: ±1° Thread: 6g external thread/6H internal thread. Coaxiality: $\text{◎} \text{ } \varnothing 0.03$ All edges have no burrs and all sharp chamfers are 0.03 max×45°		
DRAWN BY: 008	DATE: 2020.11.7	SMOOTHNESS: 1.6
CHECK BY: Merry.zhang	DATE: 2020.11.7	
APP. BY: Yongys.Yin	DATE: 2020.11.7	
UNITS: mm/(inch)		REV.: A0

**QUONTEK**  
 QuonTek (NingBo) Co.,Ltd.

PART NAME High Frequency connector , 1.85mm Male for QTB220 cable, Clamp type, to 67GHz		SHEET 1/1
PART NO. 67G-185M-B220-CL		
Customer Drawing NO.:		